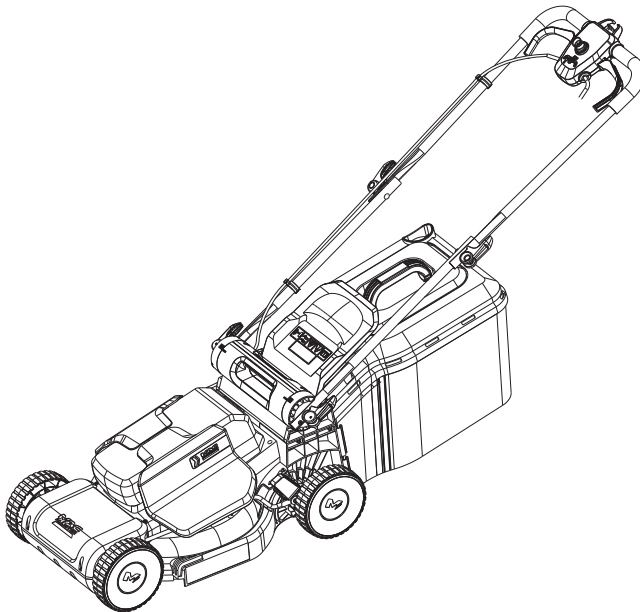




Lawnmower 1300W 34cm



MLM1334



WARNING: Read the instructions before using the product!

Let's get started...

These instructions are for your safety. Please read through them thoroughly before use and retain them for future reference.



Getting **started...** 02

Safety information	03
Your product	12
Before you start	13



In more **detail...** 19

Product functions	20
Operation	24
Care and maintenance	26
Troubleshooting	30
Recycling and disposal	32
Guarantee	33
Technical specifications	35
Declaration of conformity	37

Safety warnings

1. This product is not intended for use by persons (including children) with reduced physical, sensory or mental capabilities, or lack of experience and knowledge, unless they have been given supervision or instruction concerning use of the product by a person responsible for their safety.
2. Local regulations may restrict the age of the operator.
3. Children should be supervised to ensure that they do not play with the product.
4. Cleaning and user maintenance shall not be made by children without supervision.

Electrically powered lawn mower safety warnings



IMPORTANT: Read carefully before use.
Keep for future reference.



WARNING! When using the product the safety rules must be followed. For your own safety and that of bystanders please read these instructions before operating the product. Please keep the instructions safe for later use.

Training

1. Read the instructions carefully. Be familiar with the controls and the proper use of the product.
2. Never allow children, persons with reduced physical, sensory or mental capabilities or lack of experience and knowledge or people unfamiliar with these instructions to use the product. Local regulations may restrict the age of the operator.

Safety warnings

3. Never mow while people, especially children, or pets are nearby.
4. Keep in mind that the operator or user is responsible for accidents or hazards occurring to other people or their property.

Preparation

1. Before use check the supply and extension cord for signs of damage or aging. If the cord becomes damaged during use, disconnect the cord from the supply immediately. Don't use the product if the cord is damaged or worn.
2. While mowing, always wear substantial footwear and long trousers. Do not operate the product when barefoot or wearing open sandals. Avoid wearing clothing that is loose fitting or that has hanging cords or ties.
3. Thoroughly inspect the area where the product is to be used and remove all objects which can be thrown by the product.
4. Before using, always visually inspect to see that the cutting blade, cutting blade bolts and cutting blade assembly are not worn or damaged. Replace worn or damaged cutting blades and bolts in sets to preserve balance. Replace damaged or unreadable labels.
5. **CAUTION!** Do not touch a rotating cutting blade.
6. **CAUTION!** Do not touch the cord before disconnecting the supply.

Operation

1. Operate the product only in daylight or in good artificial light.
2. Avoid operating the product in wet grass, where feasible.

3. Always be sure of your footing on slopes.
4. Walk, never run.
5. Mow across the face of slopes, never up and down.
6. Exercise extreme caution when changing direction on slopes.
7. Do not mow excessively steep slopes.
8. Use extreme caution when reversing or pulling the product towards you.
9. Stop the cutting blade(s) if the product has to be tilted for transportation when crossing surfaces other than grass, and when transporting the product to and from the area to be mowed.
10. Never operate the product with defective guards or shields, or without safety devices, for example deflectors and/or grass catchers, in place.
11. Start the product or switch on the product carefully according to instructions and with feet well away from the cutting blade(s).
12. Do not tilt the product when switching on the motor, except if the product has to be tilted for starting. In this case, do not tilt it more than absolutely necessary and lift only the part, which is away from the operator.
13. Do not start the product when standing in front of the discharge chute.
14. Do not put hands or feet near or under rotating parts. Keep clear of the discharge opening at all times.
15. Do not transport the product while the power source is running.
16. Keep the supply and extension cord away from the cutting blade.
17. Stop the machine, and remove the disabling device. Make sure that all moving parts have come to a complete stop
 - whenever you leave the product,
 - before clearing blockages or unclogging chute,

Safety warnings

- before checking, cleaning or working on the product,
 - after striking a foreign object. Inspect the product for damage and make repairs before restarting and operating the product;
18. If the product starts to vibrate abnormally (check immediately)
- inspect for damage,
 - replace or repair any damaged parts,
 - check for and tighten any loose parts.

Maintenance and storage

1. Disconnect the product from the power supply (i.e. remove the battery pack and / or safety key) before checking, cleaning or working on the product and when it is not in use.
2. Disconnect the product from the power supply (i.e. remove the battery pack and / or safety key) before carrying out maintenance or cleaning work.
3. Improper maintenance will lead to malfunction/failure of the product.
4. Inspect and maintain the product regularly. Keep all nuts, bolts and screws tight to be sure the product is in safe working condition.
5. Check the grass catcher frequently for wear or deterioration.
6. Be careful during adjustment of the product to prevent entrapment of the fingers between moving blades and fixed parts of the product.
7. Always allow the product to cool before storing.
8. When servicing the blades be aware that, even though the power source is switched off, the blades can still be moved.

9. Replace worn or damaged parts for safety. Use only genuine replacement parts and accessories.
10. Wear strong work gloves when removing and reassembling the cutting blade.
11. Have the product repaired only by an authorised service centre or similar qualified specialist.
12. When not in use, store the product out of the reach of children.
13. The product should be supplied via a residual current device (RCD) with a tripping current of not more than 30 mA.
14. If the supply cord is damaged, it must be replaced by a special cord or assembly available from the manufacturer or its service agent.

Vibration and noise reduction

To reduce the impact of noise and vibration emission, limit the time of operation, use low-vibration and low-noise operating modes as well as wear personal protective equipment.

Take the following points into account to minimise the vibration and noise exposure risks:

1. Only use the product as intended by its design and these instructions.
2. Ensure that the product is in good condition and well maintained.
3. Use correct cutting attachments for the product and ensure they are in good condition.
4. Keep tight grip on the handles/grip surface.
5. Maintain this product in accordance with these instructions and keep it well lubricated (where appropriate).
6. Plan your work schedule to spread any high vibration tool use across a longer period of time.

Safety warnings

Emergency

Familiarise yourself with the use of this product by means of this instruction manual. Memorise the safety directions and follow them to the letter. This will help to prevent risks and hazards.

- 1. Always be alert when using this product, so that you can recognise and handle risks early.** Fast intervention can prevent serious injury and damage to property.
- 2. Switch the product off and disconnect from the power supply if there are malfunctions.** Have the product checked by a qualified professional and repaired, if necessary, before you operate it again.

Residual risks

Even if you are operating this product in accordance with all the safety requirements, potential risks of injury and damage remain. The following dangers can arise in connection with the structure and design of this product:



1. Health defects resulting from vibration emission if the product is being used over long periods of time or not adequately managed and properly maintained.
2. Injuries and damage to property due to broken attachments or the sudden impact of hidden objects during use.
3. Danger of injury and property damage caused by flying objects.



WARNING! This product produces an electromagnetic field during operation! This field may under some circumstances interfere with active or passive medical implants! To reduce the risk of serious or fatal injury, we recommend persons with medical implants to consult their doctor and the medical implant manufacturer before operating this product!

Symbols

On the product, the rating label and within these instructions you will find among others the following symbols and abbreviations. Familiarise yourself with them to reduce hazards like personal injuries and damage to property.

V ~	Volt, (alternating voltage)	Hz	Hertz
/min or min ⁻¹	Per minute	W	Watt
g	Gram	kg	Kilogram
mm	Millimetre	m	Metre
cm	Centimeter	l	Litre
dB(A)	Decibel (A-rated)	m/s ²	Metres per second squared
	Lock / to tighten or secure.		Unlock / to loosen.



Read the instruction manual.



Note / Remark.



Caution / Warning.

IPX4 Protection against solid foreign bodies as well as against splashed water from all directions.

xxWyy Manufacturing date code; year of manufacturing (20xx) and week of manufacturing (Wyy)



Wear hearing protection.



Wear eye protection.



Wear a dust mask.



Wear protective gloves.

Symbols



Wear protective, slip-resistant footwear.



Wear tight-fitted protective clothes.



Switch the product off and disconnect the plug from the power supply before assembly, cleaning, adjustments, maintenance, storage and transportation.



Mow across the face of slopes, never up and down.



Inspect the area where the product is to be used and remove all objects which can be thrown by the product. If objects are hidden while operating stop the motor and remove the object.



Objects thrown by the product could hit the user or other bystanders. Always ensure that other people and pets remain at a safe distance from the product when it is in operation. In general, children must not come near the area where the product is.



STOP

Cutting blade continues to rotate after the product is switched off. Wait until all machine components have completely stopped before touching the product.



Pay special attention when working on the cutting blade!



Beware of sharp blades. Blades continue to rotate after the motor is switched off. Disconnect the plug from the power supply before maintenance or if cord is damaged.



Keep hands and feet away from sharp rotating parts – danger of injury! When cleaning, repairing, or inspecting, make certain the cutting blade and all mowing parts have stopped.



Keep the supply and extension cord away from the cutting blade.



Grass catcher is ready for grass collection.



Grass catcher is full, empty it.



Guaranteed sound power level value in 96 dB.



The product is of Protection class II. That means it is equipped with enhanced or double insulation.



WEEE symbol. Waste electrical products should not be disposed of with household waste. Please recycle where facilities exist. Check with your Local Authority or local store for recycling advice.

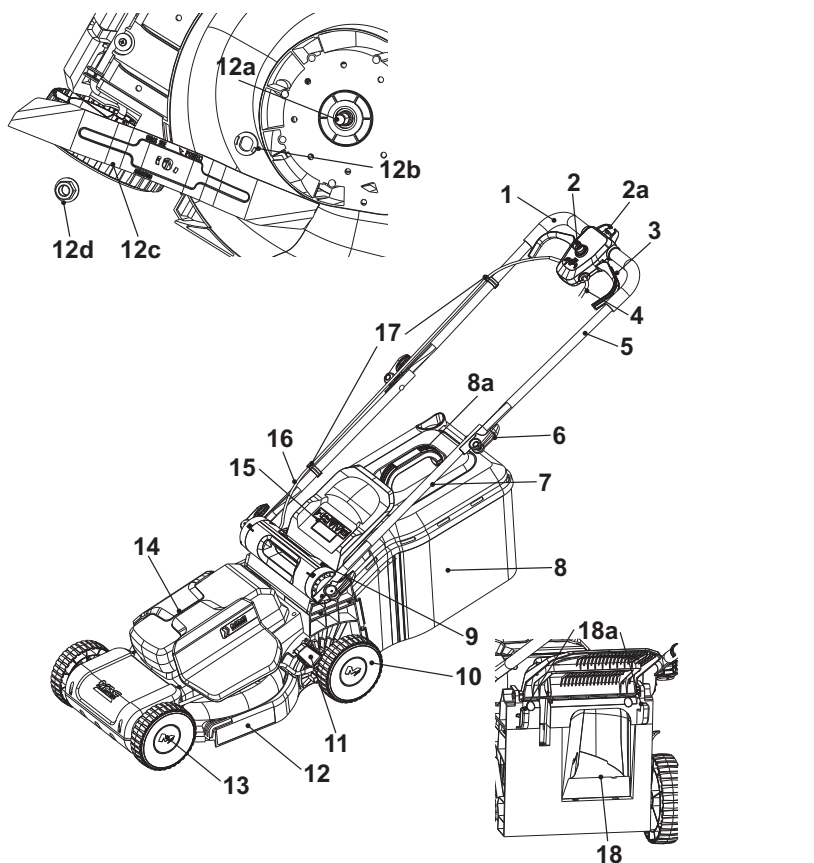


The product complies with the applicable European directives and an evaluation method of conformity for these directives was done.



UK Conformity Assessed.

Your product



- | | | |
|--------------------------|---|-------------------------------|
| 1. Grip handle | 8. Grass catcher | 12. Cutting blade compartment |
| 2. Safety switch button | a. Carry handle | a. Spindle |
| a. Cord retainer | b. Top cover* | b. Flange |
| 3. Start lever (x2) | c. Rubber clip (x3)* | c. Cutting blade |
| 4. Power cord with plug | d. Supporting rod* | d. Hex nut |
| 5. Upper handle bar | e. Hatch* | 13. Front wheel (x2) |
| 6. Clamp lever (x4) | f. Screw* | 14. Motor housing |
| a. Washer* | g. Flat washer* | 15. Deflector guard |
| b. Mounting bolt* | 9. Transport handle | 16. Inter-connection cord |
| 7. Lower handle bar (x2) | a. Indicator* | 17. Wire clip (x2) |
| a. Indication line (x3)* | 10. Rear wheel (x2) | 18. Rear discharge chute |
| | 11. Lever for cutting height adjustment | a. Hook (x2) |



NOTE: Parts marked with * are not shown in this overview. Please refer to the respective part in the instruction manual.

Unpacking

1. Unpack all parts and lay them on a flat, stable surface.
2. Remove all packing materials and shipping devices if applicable.
3. Make sure the delivery contents are complete and free of any damage. If you find that parts are missing or show damage do not use the product but contact your dealer. Using an incomplete or damaged product represents a hazard to people and property.
4. Ensure that you have all the accessories and tools needed for assembly and operation. This also includes suitable personal protective equipment.



WARNING! The product and the packaging are not children's toys! Children must not play with plastic bags, sheets and small parts! There is a danger of choking and suffocation!

You will need

(items not supplied)

Suitable personal protective equipment
Suitable wrench

(items supplied)

Grass catcher (8)
Cutting blade (12c)



NOTE: The accessories required depend on the intended application. Ask your dealer for advice.

Assembly



WARNING! The product must be fully assembled before operation! Do not use a product that is only partly assembled or assembled with damaged parts!



Follow the assembly instructions step-by-step and use the pictures provided as a visual guide to easily assemble the product!
Do not connect the product to power supply before it is completely assembled!



NOTE: Take care of small parts that are removed during assembly or when making adjustments. Keep them secure to avoid loss.

Assembly

Handle assembly

The lower handle bars (7) are pre-installed on the transport handle (9).

1. Unfold and loosen the clamp levers (6) anti-clockwise on the lower handle bars (7), but do not remove them (Fig.1, step 1).
2. Grasp the lower handle bars (7) and unfold them from storage position to work position (Fig. 1, step 2).
3. Secure the lower handle bars (7) by folding up the clamp levers (6) towards the lower handle bars (7). If the clamp lever (6) cannot be folded, loosen it and fold again. If it is too loose, tighten it by turning the clamp lever (6) clockwise (Fig. 2).

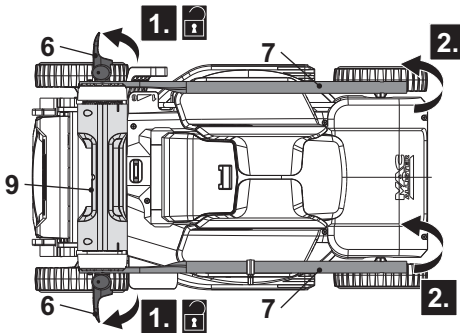


Fig. 1

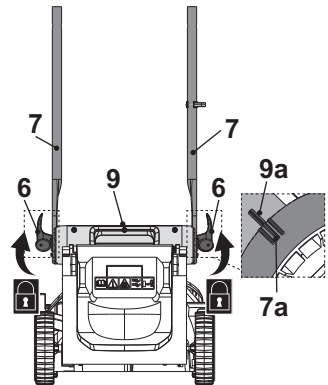


Fig. 2



NOTE: For first assembly, secure the lower handle bars (7) with the clamp levers (6) in the middle position of the tilt adjustment mechanism by aligning the indication line (7a) with the indicator (9a) of the transport handle (9). Ensure the lower handle bars (7) are assembled on the same height level on both side.

4. Hold the upper handle bar (5) with the safety switch button (2) facing upwards. Align the mounting holes of the upper handle bar (5) and the lower handle bars (7) (Fig. 3, step 1).
5. Pass the mounting bolt (6b) through the mounting holes to the end (Fig. 3, step 2).
6. Attach the washer (6a) and screw in the clamp lever (6) clockwise through the thread of the mounting bolt (6b), lock it by folding up the clamp lever (6) towards the handle. If clamp lever (6) cannot be folded, loosen it and fold again. If it is too loose, tighten it by swinging the clamp lever (6) (Fig.2, step 3).

7. Do it again on the other side. Make sure that the interconnection cord (16) run on the upper side of the handle bars (5, 7).



NOTE: There are two handle height positions in the upper handle bar (5). Ensure the upper handle bar (5) is assembled on the same height level on both lower handle bars (7).

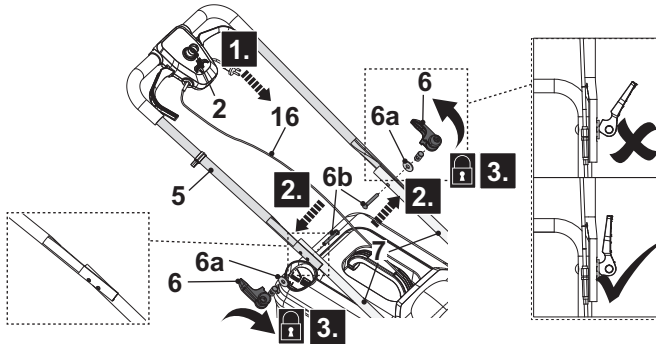


Fig. 3

8. Secure the inter-connection cord (16) with two wire clips (17) (Fig. 4). Pull the inter-connection cord (16) to avoid contact with the rear wheel (10) if necessary.

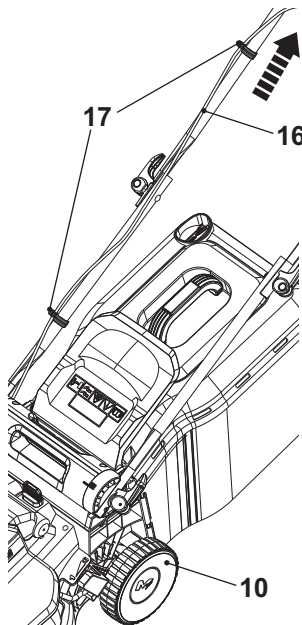


Fig. 4

Assembly



WARNING! Make sure the clamp levers (6) are properly tightened before using the product.

Grass catcher

1. Clip the three rubber clips (8c) to the supporting rod (8d) of the grass catcher (8) (Fig. 5).
2. The carry handle (8a) is already preassembled on the top cover (8b) and its position is rotatable to fit the intended use (Fig. 6).
3. The grass catcher (8) is ready for use.



WARNING! Do not attempt to use the product without the grass catcher attached – danger of flying objects! The motor must be switched off and the blade must have stopped rotating before you remove the grass catcher. The grass catcher must be fully assembled with the top part, bottom part and collection tongue all in position before first use.

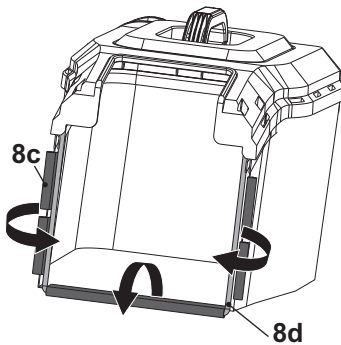


Fig. 5

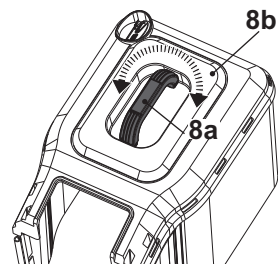


Fig. 6

4. Open the deflector guard (15) and hold it in position (Fig. 7, step 1).
5. Carry the grass catcher (8) by its carry handle (8a).
6. Align the support with the hooks (18a) and hang the grass catcher onto it (Fig. 7, step 2).
7. Carefully release the deflector guard (15) afterwards.

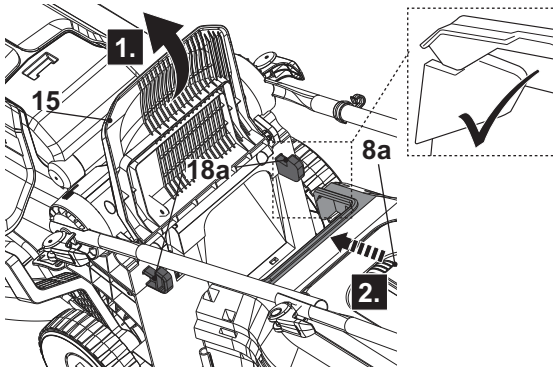


Fig. 7



NOTE:

Always carry the grass catcher (8) by its handle (8a).

Connection to power supply



NOTE: The product is equipped with a power cord with the length of 10 m. If a proper extension cord is required for operation. The extension cord must be suitable for outdoor use with sockets protected against water splashing! Ensure the extension cord is of the proper size and type for your product ($\geq 1.0 \text{ mm}^2$)! Always use a residual current supply (RCD) protected supply.

1. Double the power cord (4) back, about 60 cm from the power guard and lead the loop through the slots of cord retainer (2a) (Fig. 8).
2. Pull it over the cord retainer (2a) and gently tug on the power cord (4) to ensure that it is firmly secured (Fig. 9).

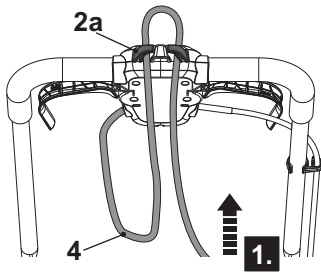


Fig. 8

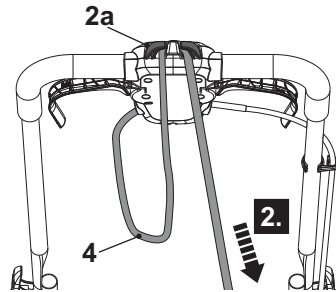


Fig. 9

3. Connect the plug of power cord (4) with a suitable socket.



WARNING! Check the voltage! The voltage must comply with the information on the rating label!

If using an extension cord it must be suitable for outdoor use with sockets protected against water splashing.

Ensure the extension cord is of the proper size and type for your product:

- 1.5 mm^2 for up to 60 m
- 2.5 mm^2 for up to 100 m

4. Your product is now ready to be used.



In more detail...

Product functions	20
Operation	24
Care and maintenance	26
Troubleshooting	30
Recycling and disposal	32
Guarantee	34
Technical specifications	35
Declaration of conformity	37



Intended use

This electric lawn mower MLM1334 is designated with a rated power input of 1300 Watts.

The product is intended for mowing grass in domestic gardens only. It must not be used to mow unusually high, dry or wet grass, e.g. pasture grass, or to shred leaves.

For safety reasons it is essential to read the entire instruction manual before first operation and to observe all the instructions therein.

This product is intended for private domestic use only, not for any commercial trade use. It must not be used for any purposes other than those described.

Handle height adjustment



WARNING! Switch the product off and wait that the cutting blade has come to a complete stop before adjusting the handle height !

Disconnect the plug from the power supply before adjusting the handle height!

To ensure safe operation the height adjustment of the handle bar is limited to the indicated positions! Do not attempt to adjust any other height!

Lower handle bar

Adjust the lower handle bars (7) to a suitable height according to your needs. There are three handle heights to choose.

1. Unfold and loosen the clamp levers (6) anti-clockwise on both sides of the lower handle bars (7), but do not remove them (Fig.10, step 1).
2. Hold and swing the handle assembly gently to the desired position by aligning the indication line (7a) with the indicator (9a) of transport handle (9) (Fig. 10, step 2). Ensure the handle assembly is assembled on the same height level on both side.
3. Secure the handle assembly by folding up the clamp lever (6) towards the transport handle (9). If clamp lever (6) cannot be folded, loosen it and fold again. If it is too loose, tighten it by turning the clamp lever (6) clockwise (Fig. 10, step 3).

Handle height adjustment

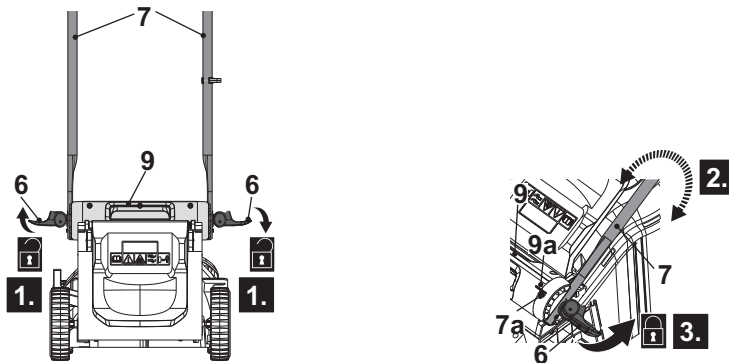


Fig. 10

Upper handle bar

Adjust the upper handle bar (5) to a suitable height according to your needs. There are two handle heights to choose.

1. Hold the upper handle bar (5) with one hand.
2. Release the clamp levers (6) anti-clockwise (Fig. 11, step 1) on both side of the upper handle bar (5), then take off the clamp lever (6), the washer (6a) and the mounting bolt (6b) afterwards (Fig. 11, step 2).
3. Choose and align the other mounting hole on the upper handle bar (5) with the mounting hole of the lower handle bars (7) (Fig. 11, step 3).
4. Pass the mounting bolt (6b) through the mounting holes to the end.



NOTE: Ensure the upper handle bar (5) is assembled on the same height level on both lower handle bars (7).

5. Attach the washer (6a) and screw in the clamp lever (6) clockwise, lock it by folding up the clamp lever (6) towards the handle bar. If clamp lever (6) cannot be folded, loosen it and fold again. If it is too loose, tighten it by swinging the clamp lever (6).
6. Do it again on the other side. Make sure that the inter-connection cord (16) run on the upper side of the handle bars (5, 7).

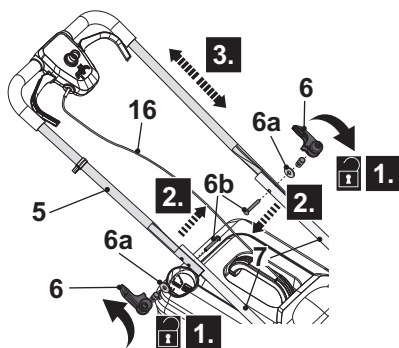


Fig 11



WARNING! Make sure the clamp levers (6) are properly tightened before using the product.

Cutting height adjustment



WARNING! Switch the product off and wait that the cutting blade had come to a complete stop before adjusting the cutting height!
Disconnect the plug from the power supply before adjusting the cutting height!

Adjust the cutting height according to the needs of your lawn. The cutting height depends on the kind of lawn and its actual height. When mowing high grass, start with the maximum cutting height and make a second cut with a lower cutting height.

1. Pull the lever (11) towards the rear wheel (10) (Fig. 12, step 1).
2. Move forward or backward to adjust the cutting height (Fig. 12, step 2).
3. Release the lever (11) and ensure it engaged in the slot properly (Fig. 12, step 3).

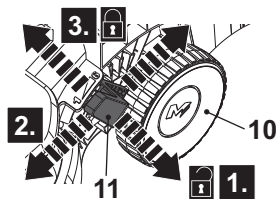


Fig. 12



WARNING! Ensure that the lever (11) engages in the slot after each adjustment.

Grass catcher



WARNING! Do not attempt to use the product without the grass catcher attached when collecting grass – danger of flying objects! Switch the motor off and wait that the blade had come to a complete stop before removing the grass catcher!

Attach the grass catcher (8). Always carry the grass catcher (8) by its carry handle (8a).

Indicator

The grass catcher (8) is equipped with a hatch (8e) that indicates the filling during operation.

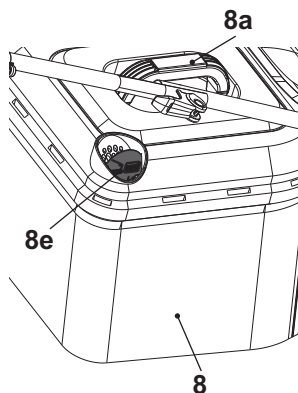


Fig. 13

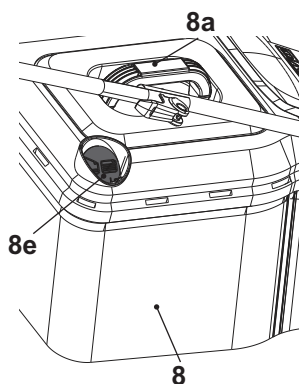


Fig. 14

1. When the hatch (8e) is opened the grass catcher has sufficient volume left to collect grass (Fig. 13).
2. When the hatch (8e) is closed, the grass catcher is full and must be emptied (Fig. 14).

Emptying

Empty the grass catcher (8) frequently during use. Do not wait until it is completely full. We recommend emptying it when it is half full.



NOTE: A full grass catcher will reduce the performance of this product.

1. Switch the product off and make sure that the motor has stopped and the blade has stopped rotating.

2. Lift the deflector guard (15) and lift the grass catcher (8) off the hooks.
3. Remove the grass clippings from the rear discharge chute (18) into the grass catcher (8). Use a proper tool such as a brush.
4. Remove the grass catcher by its carry handle (8a).
5. Empty the grass clippings onto a compost heap.
6. Re-fit the grass catcher (8) to the product.



WARNING! Never use your hands or feet to remove grass clippings from the rear discharge chute (18) !



General operation

1. Check the product as well as accessories for damage before each use. Do not use the product if it is damaged or shows wear. Take care of any problem you find or have the product checked by qualified specialist.
2. Double check that accessories or attachments are properly fixed.
3. Always push the product using the grip handle (1). Keep the handles dry to ensure safe support.
4. Ensure that the air vents are always unobstructed and clear. Clean them if necessary with a soft brush. Blocked air vents may lead to overheating and damage the product.
5. Switch the product off immediately if you are disturbed while working by other people entering the working area. Always let the product come to complete stop before putting it down.
6. Do not overwork yourself. Take regular breaks to ensure you can concentrate on the work and have full control over the product.

Starting/Stopping



WARNING! Before starting, put the product on a flat surface free of high grass! Clean the underside of the deck!
Start the motor carefully according to instructions. Keep your feet well away from the cutting blade (12c)!
Do not tilt the product when starting the motor.

Starting/Stopping

Starting / stopping



NOTE: The product can only be started by pressing the safety switch button (2) followed by squeezing the start levers (3). Reverse operation cannot start the product.

Ensure the extension cord is well hooked on the cord retainer (2a). Connect the plug to the power supply via the extension cord.

1. Stand behind the grip handle (1).
2. While holding the safety switch button (2) pressed (Fig. 15, step 1), pull the start levers (3) towards the grip handle (1) (Fig. 15, step 2).
3. After the mower starts, release the safety switch button (2).
4. The product starts moving forward and begins mowing.
5. Release the start levers (3) to stop the mower.

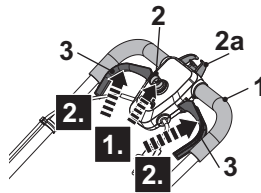


Fig. 15

Mowing

1. Make sure that the lawn is clear of stones, sticks, wire or other objects that could damage the product or its product.
2. Do not cut wet grass because it tends to stick to the underbody of the product, preventing the proper discharge of grass clippings, and it could also cause you to slip and fall.
3. Never cut off more than one-third of the total length of the grass for a healthy lawn. In the autumn, lawns should only be cut as long as there is growth.
4. Slowly push the product forward.
5. Mow in slight overlapping rows. The most effective pattern for mowing lawns is straight lines along one of the sides. This will keep the rows even and ensures that all the lawn is cut without missing any spots (Fig. 16).
6. Circle around flower beds. When reaching a flower bed in the middle of the lawn, cut a row or two around the circumference of the bed.
7. Pay special attention when changing direction.
8. Empty the grass catcher (8) regularly.

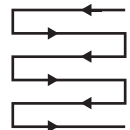


Fig. 16



WARNING! If the product strikes a foreign object stop immediately! Let the product cool down and thoroughly inspect the product for damage! Have any damage repaired before restarting!



Extensive vibration of the product during operation is an indication of damage! The product should be promptly inspected and repaired!



After use

1. Switch the product off, disconnect the plug from the power supply and let it cool down.
2. Check, clean and store the product as described below.

The golden rules for care



WARNING! Always switch the product off, disconnect the plug from the power supply. Let the product cool down before performing inspection, maintenance and cleaning work!



1. Keep the product clean. Remove debris from it after each use and before storage.
2. Regular and proper cleaning will help ensure safe use and prolong the life of the product.
3. Inspect the product before each use for worn and damaged parts. Do not operate it if you find broken and worn parts.



WARNING! Only perform repairs and maintenance work according to these instructions! All further works must be performed by a qualified specialist!

General Cleaning

1. Clean the product with a dry cloth. Use a brush for areas that are hard to reach.
2. Remove stubborn dust with high pressure air (max. 3 bar).

General Cleaning



NOTE: Do not use chemical, alkaline, abrasive or other aggressive detergents or disinfectants to clean this product as they might be harmful to its surfaces.

3. Check for any damage and wear. Repair damages in accordance with this instruction manual or take it to an authorised service centre before using the product again.

Spare parts / Replacement parts

The following parts of this product may be replaced by the consumer. Spare parts are available at an authorized dealer or through our customer service.

Underbody and cutting blade



WARNING! Wear safety gloves when working on the blade and close to it! Use proper tools to remove debris, e. g. a wooden stick! Never use your bare hands!



Always use original spare parts for replacement. The cutting blade must be replaced by an identification no. ref. A056017800. Do not attach any other type of cutting blade!

The replacement of the cutting blade should be done by a qualified specialist! Rework or sharpening blades is not recommended unless it is done by a repair service or a similarly qualified specialist!

1. Keep the underbody and cutting blade (12c) clean and free of debris. Remove clippings from the rear discharge chute (18).
2. Check all fasteners, such as nuts and bolts, periodically for tightness before operation. After prolonged use, especially in sandy soil conditions, the cutting blade will become worn and lose some of the original shape. The cutting efficiency will be reduced and the cutting blade should be replaced.
3. Keep the cutting blade (12c) sharp to ensure a good cutting performance. Replace a worn or damaged cutting blade with a new one of the same type or have it sharpened by a qualified specialist.
4. Loosen the hex nut (12d) anti-clockwise using a suitable wrench (Size 17 mm) and remove it together with the cutting blade (12c) (Fig. 17).

5. Replace the cutting blade (12c) with a new one of the same type. Check the status of flange (12b) onto the spindle (12a) firstly, then attach the cutting blade (12c) and hex nut (12d) properly. Tighten the hex nut (12d) clockwise with 20 Nm min, 25 Nm max. to ensure safe operation of your product.
6. Replace this cutting blade after 50 hours mowing or 2 years whichever is sooner regardless of condition. If the cutting blade is cracked or damaged, you must immediately replace it with a new one.
7. Lubricate the cutting blade (12c) after each use to prolong the life span of cutting blade and product. Apply light machine oil along the edge of the cutting blade.

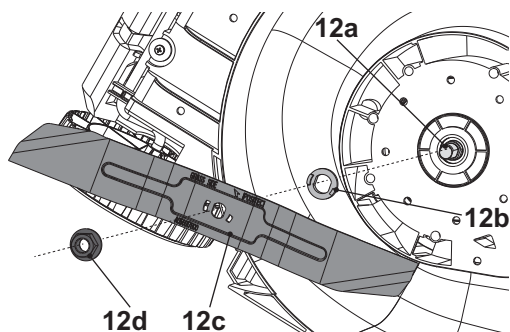


Fig. 17

Grass catcher

1. Inspect the grass catcher (8) before each use. Do not use it if you find any damage.
2. Clean the grass catcher (8) after operation using water and mild soap.
3. Let the grass catcher (8) dry thoroughly before storing to avoid mildew.

Power cord

If the power cord (4) or inter-connection cord (16) is damaged, it must be replaced by the manufacturer, its service agent or similarly qualified persons in order to avoid a safety hazard.



WARNING! Do not use the product with a defective or a loose power cord (4) and inter-connection cord (16)!

UK plug (only for UK market)

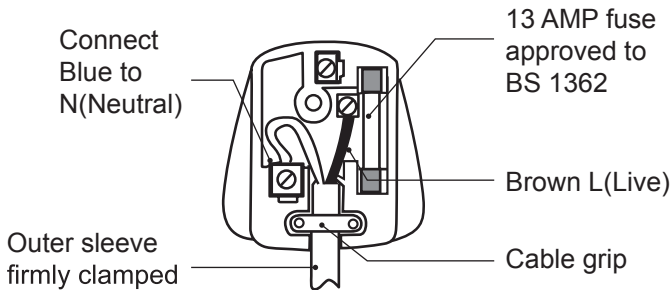
If you need to replace the fitted plug, then follow the instructions below.

IMPORTANT: The wires in the mains lead are coloured in accordance with the following code:

Blue – Neutral

Brown – Live

As the colours of the wire in the mains lead of this product may not correspond with the coloured marking identifying the terminals in your plug, proceed as follows. The wire, which is coloured blue, must be connected to the terminal, which is marked with N or coloured black. The wire, which is coloured brown, must be connected to the terminal, which is marked L or coloured red.



WARNING! Never connect live or neutral wires to the earth terminal of the plug, which is marked with E.

Only fit an approved 13 Amp BS 1363 or BS 1363/A plug and the correctly rated fuse. If in doubt, consult a qualified electrician.



NOTE: If a moulded plug is fitted and has to be removed take great care in disposing of the plug and severed cable, it must be destroyed to prevent engaging into a socket.

Repair

This product does not contain any parts that can be repaired by the consumer. Contact an authorised service centre or a similarly qualified person to have it checked and repaired.

Storage

1. Switch the product off, disconnect the plug from the power supply before storage.
2. Clean the product as described above.
3. Fold the handle assembly to the storage position.
4. Store the product and its accessories in a dark, dry, frost-free, well-ventilated place.
5. Always store the product in a place that is inaccessible to children. The ideal storage temperature is between 10 °C and 30 °C.
6. We recommend using the original package for storage or covering the product with a suitable cloth or enclosure to protect it against dust.

Transportation

1. Switch the product off, disconnect the plug from the power supply before transporting it anywhere.
2. Attach transportation guards, if applicable.
3. Always transport the product by its transport handle (9).
4. Protect the product from any heavy impact or strong vibrations which may occur during transportation in vehicles.
5. Secure the product to prevent it from slipping or falling over, damage and injury.

Troubleshooting

Suspected malfunctions are often due to causes that the users can fix themselves.

Therefore check the product using this section. In most cases the problem can be solved quickly.



WARNING! Only perform the steps described within these instructions! All further inspection, maintenance and repair work must be performed by an authorised service centre or a similarly qualified specialist if you cannot solve the problem yourself!

Troubleshooting

Problem	Possible cause	Solution
1. Product does not start	1.1. Not connected to power supply 1.2. Power cord or plug is defective 1.3. Other electrical defect to the product	1.1. Connect to power supply 1.2. Check by a specialist electrician 1.3. Check by a specialist electrician
2. Product does not reach full power	2.1. Extension cord not suitable for operation with this product 2.2. Power source (e.g. generator) has too low voltage 2.3. Air vents are blocked	2.1. Use a proper extension cord 2.2. Connect to another power source 2.3. Clean the air vents
3. Cutting result is unsatisfactory	3.1. Cutting blade is dull / damaged 3.2. Cutting material exceeds capacity 3.3. Cutting height is incorrect	3.1. Replace with a new one 3.2. Only cut materials according to the product capacity. 3.3. Adjust the cutting height
4. Product suddenly stops	4.1. Cutting device is dull / damaged 4.2. Cutting device is blocked	4.1. Replace with a new one 4.2. Remove blockage
5. Excessive vibration or noise	5.1. Cutting device is dull/ damaged 5.2. Cutting material exceeds capacity 5.3. Cutting height is incorrect 5.4. Bolts/nuts are loosen	5.1. Replace with a new one 5.2. Only cut materials according to the product capacity 5.3. Adjust the cutting height 5.4. Tighten bolts/nuts

Recycling and disposal



Waste electrical products should not be disposed of with household waste. Please recycle where facilities exist.

Check with your Local Authority or local store for recycling advice.

For further information visit www.recycle-more.co.uk.

The product comes in a package that protects it against damage during shipping. Keep the package until you are sure that all parts have been delivered and the product is working properly. Recycle the package afterwards.

Guarantee

We take special care to select high quality materials and use manufacturing techniques that allow us to create products incorporating design and durability. This product has a manufacturer's guarantee of 2 years against manufacturing defects, from the date of purchase (if bought in store) or date of delivery (if bought online), at no additional cost for normal (non-professional or commercial) household use.

To make a claim under this guarantee, you must present your proof of purchase (such as a sales receipt, purchase invoice or other evidence admissible under applicable law), please keep your proof of purchase in a safe place. For this guarantee to apply, the product you purchased must be new, it will not apply to second hand or display products. Unless stated otherwise by applicable law, any replacement product issued under this guarantee will only be guaranteed until expiry of the original period guarantee period.

This guarantee covers product failures and malfunctions provided the product was used for the purpose for which it is intended and subject to installation, cleaning, care and maintenance in accordance with the information contained in these terms and conditions, in the user manual and standard practice, provided that standard practice does not conflict with the user manual.

This guarantee does not cover defects and damage caused by normal wear and tear or damage that could be the result of improper use, faulty installation or assembly, neglect, accident, misuse, or modification of the product. Unless stated otherwise by applicable law, this guarantee will not cover, in any case, ancillary costs (shipping, movement, costs of uninstalling and reinstalling, labour etc), or direct and indirect damage.

Rights under this guarantee are enforceable in the country in which you purchased this product. Guarantee related queries should be addressed to the store you purchased this product from.

The guarantee is in addition to and does not affect your statutory rights.

Manufacturer:

Kingfisher International Products Limited
3 Sheldon Square, W26PX London United Kingdom
www.kingfisher.com/products

Distributor:

B&Q plc

Chandlers Ford, Hants, SO53 3LE, United Kingdom

www.diy.com


Screwfix Direct Limited

Trade House, Mead Avenue, Yeovil, BA22 8RT, United Kingdom

www.screwfix.com

Technical specifications

General

> Rated voltage, frequency	: 230-240 V~, 50 Hz
> Rated power input	: 1300 W
> Rated no load speed n_0	: 3500 min^{-1}
> Max. cutting width	: 34 cm
> Cutting height range	: 20-70 mm, 6 levels
> Grass catcher volume	: 35 l
> Protection class	: II/ 
> Degree of protection	: IPX4
> Wheel size	: 150 mm
> Weight	: approx. 12 kg
> Dimensions (fully assembled)	: approx. 1475*370*840 mm

Sound values

> Sound pressure level L_{pA}	: 85 dB(A)
> Uncertainty K_{pA}	: 3 dB(A)
> Measured sound power level L_{WA}	: 93.61 dB(A)
> Uncertainty K_{WA}	: 3 dB(A)
> Guaranteed sound power level L_{WA}	: 96 dB(A)

Vibration values

> Hand arm vibration $a_{h,W}$: 2.5 m/s^2
> Uncertainty K	: 1.5 m/s^2

The sound values have been determined according to noise test code given in EN 60335-2-77, using the basic standards EN ISO 11094: 1991 and EN ISO 3744: 2010.

The sound intensity level for the operator may exceed 80 dB(A) and ear protection measures are necessary.

The declared vibration value has been measured in accordance with a standard test method (according to EN 60335-2-77) and may be used for comparing one product with another. The declared vibration value may also be used in a preliminary assessment of exposure.



WARNING! Depending on the actual use of the product the vibration values can differ from the declared total. Adopt proper measures to protect yourself against vibration exposures. Take the whole work process including times the product is running under no load or switched off into consideration.

Proper measures include among others regular maintenance and care of the product and accessories, keeping hands warm, periodical breaks and proper planning of work processes.

Rating label explanation

MLM1334 = Model number

M = MAC Allister

LM = Lawnmower

13 = Rated power (1300 W)

34 = Cutting width (cm)

Declaration of conformity

In more detail...



Manufacturer, Fabricant, Producător, Producător, Fabricante:

UK Manufacturer:

Kingfisher International Products Limited
3 Sheldon Square, London, W2 6PX
United Kingdom
www.kingfisher.com/products

EU Manufacturer:

Kingfisher International Products B.V.
Rapenburgerstraat 175E
1011 VM Amsterdam
The Netherlands
www.kingfisher.com/products

EN www.diy.com
www.screwfix.com
www.screwfix.ie

To view instruction manuals online, visit
www.kingfisher.com/products

FR www.castorama.fr
www.bricodepot.fr

Pour consulter les manuels d'instructions en ligne,
rendez-vous sur le site www.kingfisher.com/products

PL www.castorama.pl

Aby zapoznać się z instrukcją obsługi online, odwiedź
stronę www.kingfisher.com/products

ES www.bricodepot.es

Para consultar los manuales de instrucciones en línea,
visite www.kingfisher.com/products

PT www.bricodepot.pt

Para consultar manuais de instruções online, visite
www.kingfisher.com/products

RO www.bricodepot.ro

Pentru a consulta manualele de instrucțiuni online, vizitați
www.kingfisher.com/products

TR www.koctas.com.tr

Kullanım kılavuzuna internet üzerinden ulaşmak için
www.kingfisher.com/products adresini ziyaret edin